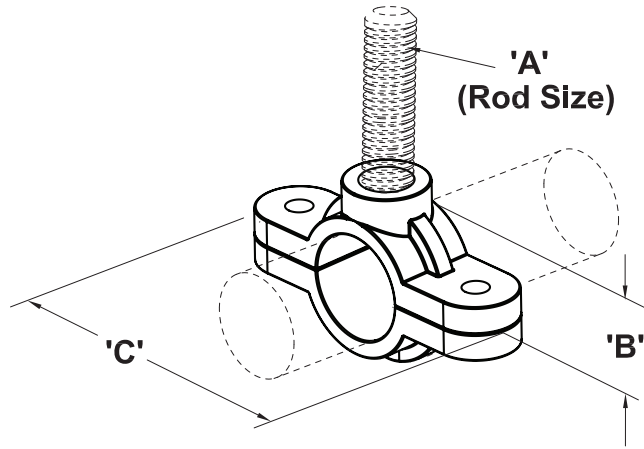


**FIGURE 7001S - No Hinge Split ring W/2 Bolts**

Finish: Stainless  
 MSS SP-58, type 12  
 Material: 304 Stainless Steel



A - Rod size (hanger rod and nuts not included)  
 B - Center of pipe to top of hanger  
 C - Width of hanger

| Catalog Number | Pipe Size |       | A (Rod Size) | B    | C    | Max Load | Weights |
|----------------|-----------|-------|--------------|------|------|----------|---------|
|                | in.       | mm    |              |      |      |          |         |
| FNW7001SC      | 3/8       | 17.2  | 3/8"-16      | 0.60 | 2.03 | 180      | 1.28    |
| FNW7001SD      | 1/2       | 21.3  | 3/8"-16      | 0.68 | 2.20 | 180      | 1.44    |
| FNW7001SF      | 3/4       | 26.6  | 3/8"-16      | 0.82 | 2.50 | 180      | 1.76    |
| FNW7001SG      | 1         | 33.4  | 3/8"-16      | 0.96 | 2.83 | 180      | 2.24    |
| FNW7001SH      | 1-1/4     | 42.1  | 3/8"-16      | 1.16 | 3.21 | 180      | 2.72    |
| FNW7001SJ      | 1-1/2     | 48.2  | 3/8"-16      | 1.27 | 3.44 | 180      | 3.04    |
| FNW7001SK      | 2         | 60.3  | 3/8"-16      | 1.52 | 3.92 | 180      | 3.68    |
| FNW7001SL      | 2-1/2     | 73.0  | 1/2"-13      | 1.96 | 4.80 | 300      | 6.4     |
| FNW7001SM      | 3         | 88.9  | 1/2"-13      | 2.29 | 5.50 | 300      | 7.84    |
| FNW7001SP      | 4         | 114.3 | 1/2"-13      | 2.80 | 6.62 | 300      | 9.6     |