

2 PC FULL PORT WATER SERVICE VALVE w/PRESS ENDS

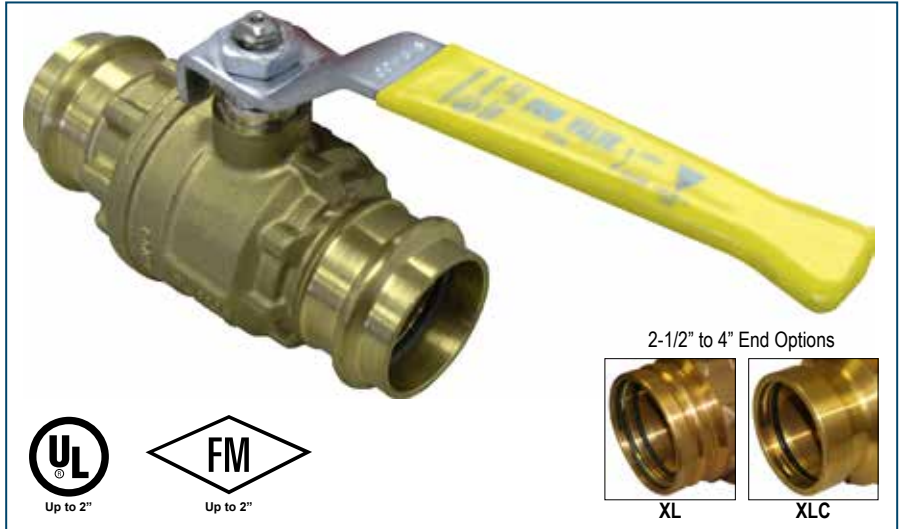
The FNW figure 430 press valve for water service is suggested for all applications where labor and time savings is a must. The figure 430 valve allows quick installation on copper pipelines meeting ASTM B88 standards. The structure of the valve, made in dezincification resistant brass, guarantees excellent corrosion resistance particularly in the connection areas of the pipeline. Drip Fit o-rings ensure that an end connection will drip, indicating an end was not pressed.

Features:

- 200 PSI Max. Working Pressure
- 250°F Max. Temperature at Max. Pressure
- Full Port
- Press Ends
- Conforms to MSS SP-110 ¹
- FM, and UL Certified (up to 2")
- True 2-Piece Design
- Drip Fit O-rings (up to 2")
- No Soldered-In End Pieces
- Blow-out Proof Stem
- Adjustable Packing
- Secondary O-Ring Stem Seal
- Forged Brass Body & End Cap
- 100% DZR Brass offering great protection against corrosion & cracking
- 100% Electronically Tested in Open and Closed Position at 80 PSI
- Uses The Same Handle Accessories As The Figure 420 Ball Valve
- Sizes 1/2" to 4" ²
- 2-1/2" to 4" Available in XL ³ or XLC ⁴ End Connections

1 The current specification SP-110-1996 does not address the new technology of press end connections. Other than this exception, the valve meets the design criteria of the specification.
 2 The FNW large body figure 430 press valves (2-1/2" to 4") are available in two distinct end types, XL and XLC which are for installation using crimp tools equipped with matching XL or XLC jaw sets.
 3 4" XL valves are for copper tube or copper fittings only and should not be used on brass fittings or adapters.
 4 All XLC valves are for copper tube or copper XLC fittings only and should not be used on brass fittings or adapters.

NOT RECOMMENDED FOR BURIED



Drip Fit O-rings



The Drip Fit o-rings (up to 2") ensure that an unpressed end will drip. This is an added safety feature to ensure unpressed ends are discovered and corrected.

Figure Number Matrix

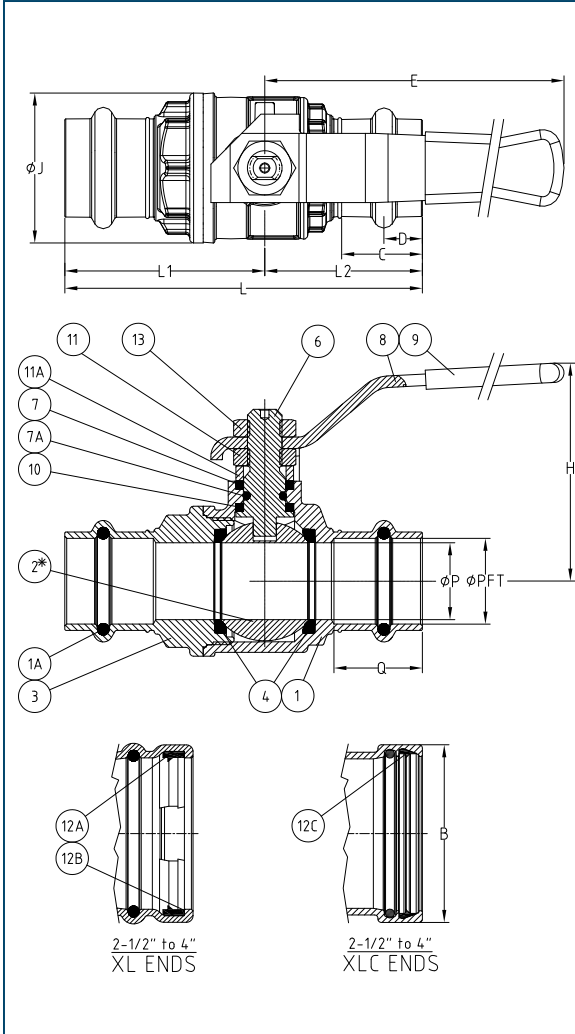
FNW 430 End Size	
CONFIGURATION	SIZE CODE
1/2" to 2" = Blank	1/2 = D 1-1/4 = H 2-1/2 = L
2-1/2" to 4" = XL	3/4 = F 1-1/2 = J 3 = M
2-1/2" to 4" = XLC	1 = G 2 = K 4 = P

Kit Codes (Order Separately)

FNW 420 Kit Size	
KIT TYPE	SIZE CODE
Locking Handle = LHK	1/2" = BD
Stem Extension = SE	3/4"~1" = FG
Tee Handle = THK	1-1/4"~1-1/2" = HJ
Oval Handle = OHK	2" = K
Memory Stop = MSK	2-1/2"~3" = LM
Stainless Handle = SSK	4" = P

2 PC FULL PORT WATER SERVICE VALVE w/PRESS ENDS

Standard Materials



Ref. No.	Description	Material	Qty
1	Body	Brass CW 602N UNI EN 12165	1
1A	O-Ring	EPDM (EP851)	2
2*	Ball (1/2"-2")	Brass CW 617N UNI EN 12165 (Nickel-Chrome Plated)	1
	Ball (2-1/2"-4")	Brass CB 753-S UNI EN 1982 (Nickel-Chrome Plated)	
3	End Cap	Brass CW 602N UNI EN 12165	1
4	Seat	PTFE	2
6	Stem	Brass CW 614N UNI EN 12164	1
7	Stem Packing	PTFE	1
7A	Stem O-ring	NBR	1
8	Handle	Steel Fe DD11 UNI EN 10111	1
9	Handle Cover	Vinyl	1
10	Thrust Washer	PTFE	1
11	Gland Nut	Steel, Class 4 ZP	1
11A	Packing Gland	Brass CW 614N UNI EN 12164	1
12A	Circlip	S235JR UNI EN 10025 (XL only)	2
12B	Backer Ring	Steel, Zinc Plated (XL only)	2
12C	Comp. Ring	Steel, Zinc Plated (XLC only)	2
13	Handle Nut	Steel, Class 4 ZP	1

* NOTE: Valve sizes 2-1/2" to 4" utilize a hollow ball

Standard Size Dimensions (Inches)

Size	E	H	ØJ	ØP	ØPFT	C	D	Q	L	L1	L2
1/2	3.86	1.89	1.30	0.59	0.63	0.67	0.31	0.71	3.13	1.71	1.42
3/4	4.80	2.28	1.54	0.79	0.88	0.83	0.39	0.91	3.66	2.05	1.61
1	4.80	2.44	1.93	0.98	1.13	0.83	0.39	0.94	4.13	2.32	1.81
1-1/4	6.02	3.07	2.32	1.26	1.38	0.83	0.39	1.02	4.41	2.44	1.97
1-1/2	6.02	3.35	2.87	1.57	1.63	1.02	0.49	1.42	5.63	2.91	2.72
2	6.38	3.80	3.39	1.95	2.13	1.18	0.57	1.57	6.48	3.39	3.09

Extended Size Dimensions (Inches)

Size	E	H	ØJ	ØP	ØPFT	XL Ends						XLC Ends				
						C	D	Q	L	L1	L2	ØB	Q	L	L1	L2
2-1/2	8.07	5.08	4.37	2.40	2.50	1.54	1.08	2.17	8.33	4.43	3.90	3.15	1.65	7.30	3.94	3.39
3	8.07	5.51	5.35	2.87	3.00	1.54	1.08	2.17	9.07	4.82	4.25	3.66	1.91	8.60	4.63	4.00
4	10.24	6.30	6.54	3.82	4.00	1.54	1.08	2.56	10.63	5.51	5.12	4.69	2.42	10.36	5.30	4.98

DOC: FNW43008 Ver. 06/2016

© 2016 - FNW. All rights reserved.
The FNW logo is a trademark of Ferguson Enterprises, Inc., PL Sourcing, PO Box 2778, Newport News, VA 23609

The contents of this publication are presented for information purposes only, and while effort has been made to ensure their accuracy, they are not to be construed as warranties or guarantees, expressed or implied, regarding the products or services described herein or their use or applicability. All sales are governed by our terms and conditions, which are available on request. We reserve the right to modify or improve the designs or specifications of our products at any time without notice. Always verify that you have the most recent product specifications or other documentation prior to the installation of these products.

Cv & Weights

Size	1/2	3/4	1	1-1/4	1-1/2	2	2-1/2	3	4
Cv	18	34	49	102	265	306	624	1001	1606
Wt. (Lbs)	0.49	0.86	1.23	2.34	3.48	4.61	-	-	-
	-	-	-	-	-	-	10.87	15.56	24.54
	-	-	-	-	-	-	9.04	14.55	22.99