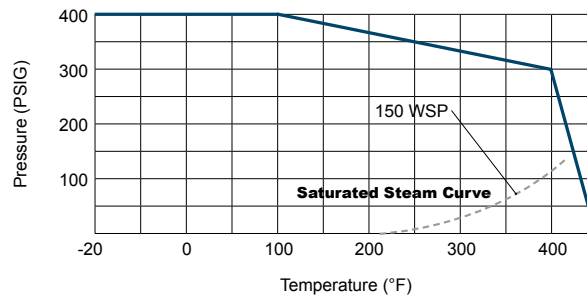


## 3 PC SANITARY 400 CWP w/CLAMP ENDS

### Features:

- 400 PSI CWP Non-Shock
- 150 PSI WSP
- Blow-out Proof Stem
- Live-Loaded Packing
- Anti-static Design
- Investment Cast Body
- Internal Polished Body & Ball Surface (Ra 32µin / 0.8µm)
- Double Stem Seal
- Cavity Filled TFM (Super TFE) Seat Design
- Clamp Ends
- Stainless Steel Handle
- Locking Lever
- Direct Mounting Pad
- Vacuum rated to 26.967"Hg (75 Torr)\*
- Manufactured Silicone Free
- Replacement Locking Handle Kits Available



### Standards:

- Design: ASME B16.34, MSS SP-110  
NACE MRO103 and MRO175 Approved
- End Connections: ASME BPE
- Seat/Shell Test: MSS SP-110
- Mounting Pad: ISO 5211
- Face-To-Face: DIN 3202 Part 2 S13

\* Vacuum measurements are often made in inches of mercury below atmospheric pressure. The values calculated here assume standard atmospheric pressure of 29.92 inches of mercury.

### Cv, Torque & Weight

Size	Cv	Torque (in-lbs)	Wt (lbs)
1/2	13	58	1.28
3/4	18	69	2.27
1	48	121	3.17
1-1/2	165	254	6.56
2	207	368	9.92
2-1/2	450	565	18.47
3	780	933	26.12
4	1100	1416	51.37

### Figure Number Matrix

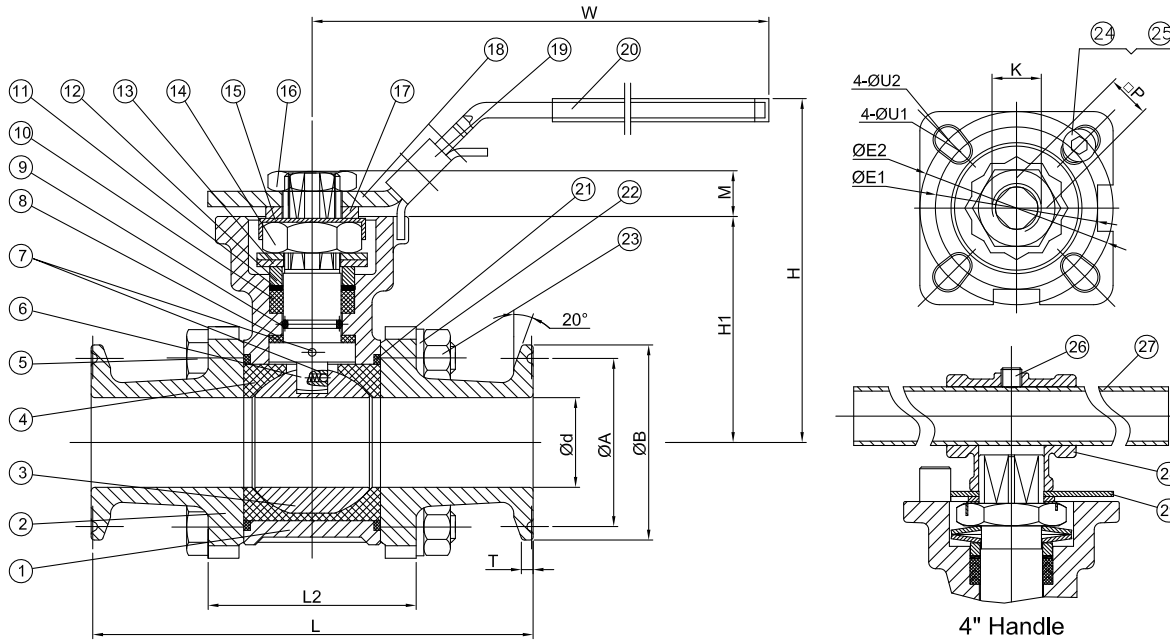
FNW 330A Size		
SIZE CODE		
1/2 = D	1-1/2 = J	3 = M
3/4 = F	2 = K	4 = P
1 = G	2-1/2 = L	

### Kit Codes (Order Separately)

FNW 310AM Kit Size
KIT TYPE      SIZE CODE
Locking Handle = LHK      1/2"~3/4" = BF
1"~1-1/4" = GH
The figure 330A uses      1-1/2"~2" = JK
the same handle kit as      2-1/2"~3" = LM
the 310AM                      4" = P

### Repair Kits (Order Separately)

FNW 310ARK Size
SIZE CODE
1/2" = D                      2" = K
3/4" = F                      2-1/2" = L
1" = G                          3" = M
1-1/2" = J                      4" = P



### Dimensions (inches)

SIZE	Ød	L	H1	H	W	A	B	T	M	ØE1	ØE2	P	U1	U2	L2	K (UNF)
1/2	0.37	3.54	1.65	2.83	5.71	0.80	1.00	0.15	0.35	1.42	1.65	0.35	0.24	0.24	1.71	7/16-20
3/4	0.62	3.54	1.93	3.15	5.71	0.80	1.00	0.15	0.35	1.42	1.97	0.35	0.24	0.28	1.82	7/16-20
1	0.87	3.94	2.28	3.54	6.30	1.71	1.99	0.11	0.43	1.65	1.97	0.43	0.24	0.28	2.10	9/16-18
1-1/2	1.37	4.92	2.80	4.17	7.48	1.71	1.99	0.11	0.55	1.97	2.76	0.55	0.28	0.35	3.05	3/4-16
2	1.87	5.91	3.07	4.45	7.48	2.22	2.52	0.11	0.55	1.97	2.76	0.55	0.28	0.35	3.59	3/4-16
2-1/2	2.37	7.48	3.94	5.91	10.24	2.78	3.05	0.11	0.67	2.76	4.02	0.67	0.35	0.43	4.32	7/8-14
3	2.87	8.66	4.29	6.26	10.24	3.29	3.58	0.11	0.67	2.76	4.02	0.67	0.35	0.43	4.91	7/8-14
4	3.84	10.63	5.51	7.80	13.78	4.33	4.69	0.11	0.67	4.02	0.67	0.43	6.22	1-1/8-12		

### Standard Materials

Ref. No.	Description	Material	Qty	Ref. No.	Description	Material	Qty
1	Body	ASTM A351 Gr. CF8M Stainless	1	16	Handle Nut	304SS Stainless	1
2	End Cap	ASTM A351 Gr. CF8M Stainless	2	17	Square Washer	304SS Stainless	1
3	Ball	316SS Stainless	1	18	Handle	304SS Stainless	1
4	Seat	TFM1600	2	19	Lock Device	304SS Stainless	1
5	Body Bolt	ASTM A193-B8 Stainless	4	20	Handle Sleeve	Vinyl Plastic	1
6	Stem	316SS Stainless	1	21	Body Gasket	PTFE	2
7	Anti-Static Device	316SS Stainless	2	22	Bolt Washer	304SS Stainless	4
8	Thrust Washer	PTFE	1	23	Bolt Nut	304SS Stainless	4
9	O-Ring	FKM	1	24	Stop Bolt	304SS Stainless	1
10	V-Ring Packing	PTFE	1 Set	25	Nut	304SS Stainless	1
11	Bushing	50% Stainless + 50% PTFE	1	26	Set Screw (4" only)	304SS Stainless	1
12	Gland	316SS Stainless	1	27	Handle (4" only)	ASTM A53 Steel + Zinc Plating	1
13	Belleville Washer	301SS Stainless	2	28	Adapter (4" only)	304SS Stainless	1
14	Stem Nut	304SS Stainless	1	29	Stopper (4" only)	420SS Stainless	1
15	Stop-Lock-Cap	304SS Stainless	1				

DOC: FNW330A11 Ver. 01/2018

© 2018 - FNW. All rights reserved.

The FNW logo is a trademark of Ferguson Enterprises, Inc., PL Sourcing, PO Box 2778, Newport News, VA 23609

The contents of this publication are presented for information purposes only, and while effort has been made to ensure their accuracy, they are not to be construed as warranties or guarantees, expressed or implied, regarding the products or services described herein or their use or applicability. All sales are governed by our terms and conditions, which are available on request. We reserve the right to modify or improve the designs or specifications of our products at any time without notice. Always verify that you have the most recent product specifications or other documentation prior to the installation of these products.