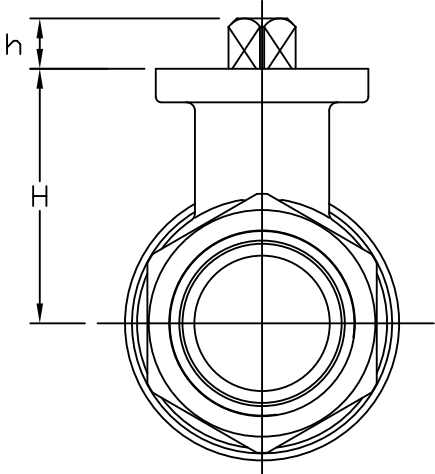
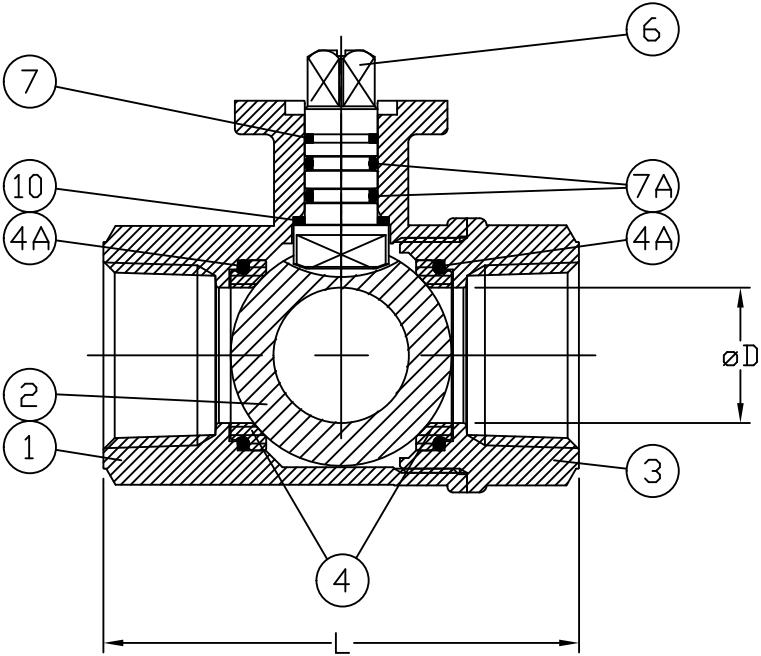
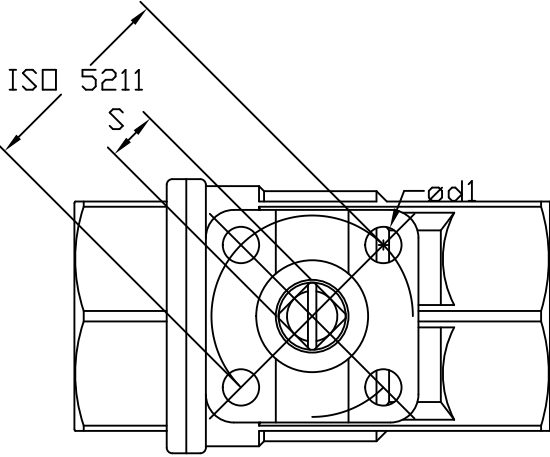


SI \approx	ϕD	L	H	h	s	ISO 5211	$\phi d1$
2-1/2	2.52	6.10	3.48	0.59	0.551	2.76/F07	0.35
3	3.00	6.89	3.85	0.59	0.551	2.76/F07	0.35
4	3.74	8.03	4.59	0.69	0.669	2.76/F07	0.35

Ref. No.	Description	Material	Qty
1	Body	Brass CW617N UNI EN 12165	1
2	Ball	Brass CW617N UNI EN 12165 (Nickel-Chrome Plated)	1
3	End Cap	Brass CW617N UNI EN 12165	1
4	Seat	PTFE	2
4A	Seat Backing O-ring	Viton®	2
6	Stem	Brass CW614N UNI EN 12164	1
7	Stem Seal	PTFE	1
7A	Stem O-ring	Viton®	2
10	Thrust Washer	PTFE	1



FNW ™	4120 NE Columbia Blvd Portland, OR 97211 Phone (503) 287-8383 Fax (503) 281-9677	
	TITLE/DESCRIPTION: 440 ISO MOUNT BRASS BALL VALVE	
DATE: 8-2-2005	BY:	UNITS: INCHES
SCALE: NONE	APP'D:	PAGE(S): 1
MODEL: 440		
DWG NO: FNW440		
NOTES:		
FILE: 440_025-4.dwg	WT:	LOC: PORTLAND
PAGE SIZE: 8.5 x 11L	REV: 1	RDATE: 1-3-2014
THIS DRAWING CONTAINS CONFIDENTIAL AND PROPRIETARY INFORMATION OF FNW VALVE AND IS SUBMITTED TO YOU FOR THE LIMITED PURPOSE OF PROVIDING YOU INFORMATION ON PRODUCTS AND SYSTEMS PURCHASED FROM FNW VALVE. BY RECEIVING THIS DOCUMENT, YOU AGREE NOT TO DISCLOSE SUCH INFORMATION TO OTHERS EXCEPT BY WRITTEN PERMISSION OF FNW VALVE.		