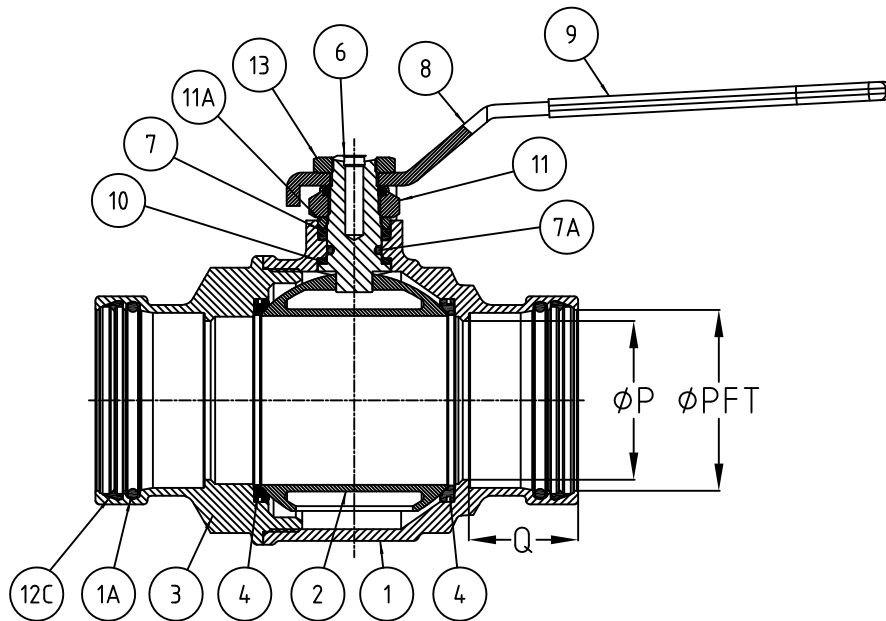
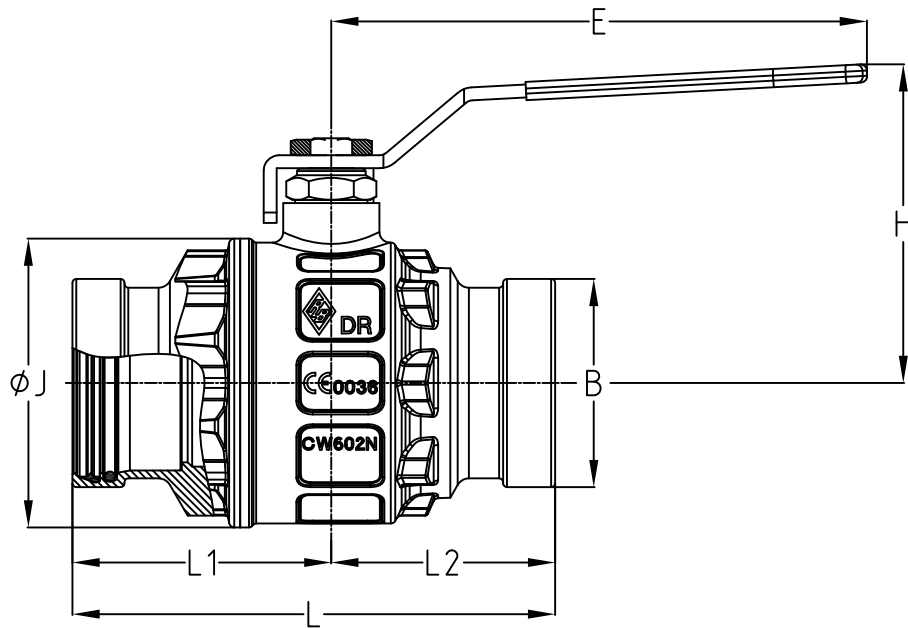


Fig No: FNW430 (XLC)



MATERIALS LIST

Ref. No.	Description	Material	Qty
1	Body	Brass CW 602N UNI EN 12165	1
1A	O-Ring	EPDM	2
2	Ball	Brass CB 753-S UNI EN 1982 (Nickel-Chrome Plated)	1
3	End Cap	Brass CW 602N UNI EN 12165	1
4	Seat	PTFE	2
6	Stem	Brass CW 614N UNI EN 12164 NP	1
7	Stem Packing	PTFE	1
7A	Stem O-Ring	NBR	1
8	Handle	Steel Fe DD11 UNI EN 10111	1
9	Handle Cover	Plastic	1
10	Thrust Washer	PTFE	1
11	Gland Nut	Steel CI 04, Zinc Plate	1
11A	Packing Gland	Brass CW 614N UNI EN 12164	1
12C	Compression Ring	Steel, UNI EN 10263 (Yellow Zinc)	2
13	Handle Nut	Steel CI 04, Zinc Plate	1

The FNW figure 430 press valves with XLC ends (2-1/2" to 4" only) are designed for installation using crimp tools equipped with XLC style jaws only.

**CAUTION:** ALL XLC VALVES ARE FOR COPPER PIPE OR COPPER XLC FITTINGS ONLY AND SHOULD NOT BE USED ON BRASS FITTINGS AND ADAPTERS.

WORKING PRESSURE: 200 PSI CW NON-SHOCK  
 MAXIMUM TEST PRESSURE: 300 PSI (2-1/2" & 3")  
 200 PSI (4")

DIMENSIONS

SIZE	E	H	ØJ	ØP	ØPFT	ØB	Q	L	L1	L2	INCH
2-1/2	8.07	5.08	4.37	2.40	2.50	3.15	1.65	7.30	3.94	3.39	
3	8.07	5.51	5.35	2.87	3.00	3.66	1.91	8.60	4.63	4.00	
4	10.24	6.30	6.54	3.82	4.00	4.69	2.42	10.36	5.30	4.98	

CODE W-003



SIGN

KMC

DATE

07/23/2009

APPROVED BY.

CHECK BY.

07/23/2009

DRAWN BY.

PEA

07/23/2009

DRAWING NO.

430XLC\_250-4

REVISION

00

MATERIAL

SCALE

UNIT

INCH

FREE

DESCRIPTION

BRASS BODY, FULL BORE BALL VALVES, XLC PRESS END, 200 PSI WATER, 2-1/2" to 4"