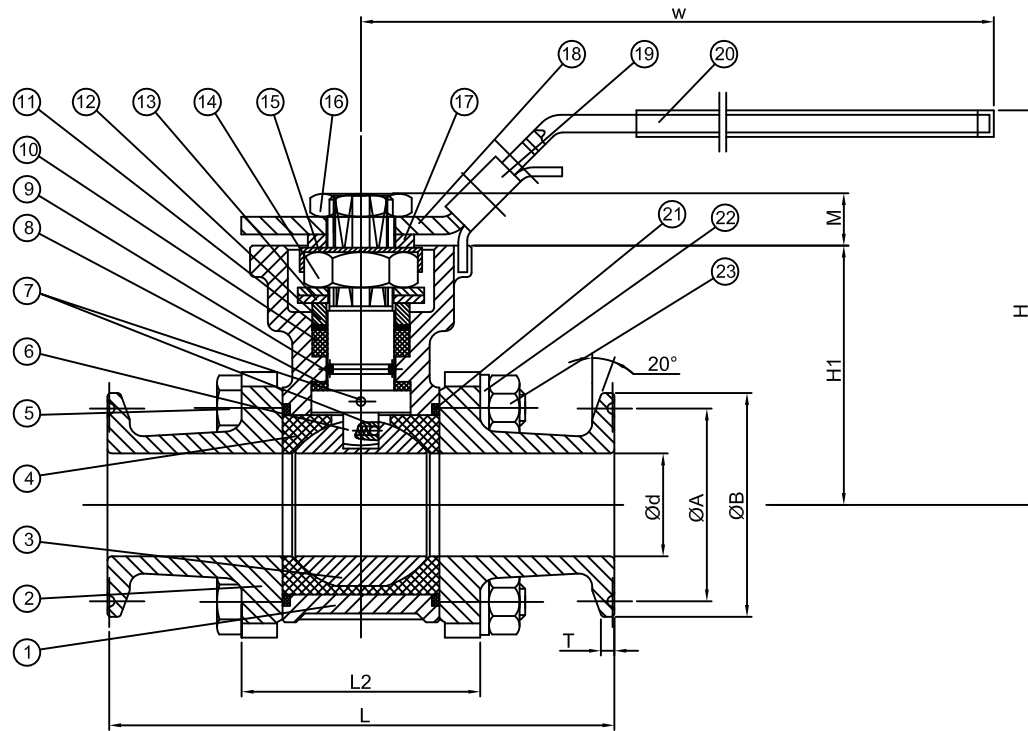


4" Handle



APPLICABLE STANDARDS
 Design: ASME B16.34
 Tri-clamp Ends: ASME BPE
 ISO 2852 (1-1/4" only)
 Face To Face: DIN 3202 Part2 S13
 Seat/Shell Test: MSS SP-110

Ref.No.	Description	Material	Qty.
29	Triangle Stopper(4")	420SS	1
28	Handle Adapter(4")	304SS	1
27	Handle(4")	A53+Zn Plated	1
26	Set Screwed(4")	304SS	1
25	Nut	304SS	1
24	Stop Bolt	304SS	1
23	Bolt Nut	304SS	4
22	Bolt Washer	304SS	4
21	Body Gasket	PTFE	2
20	Handle Sleeve	Vinyl Plastic	1
19	Lock Device	304SS	1
18	Handle	304SS	1
17	Square Washer	304SS	1
16	Handle Nut	304SS	1
15	Stop-Lock-Cap	304SS	1
14	Stem Nut	304SS	1
13	Belleville Washer	301SS	2
12	Gland	316SS	1
11	Bushing	50%SS+50%PTFE	1
10	V-Ring Stem Packing	PTFE	1Set
9	O-AIRPROOF RING	FKM	1
8	Thrust Washer	PTFE	1
7	Anti-Static Device	316SS	2
6	Stem	316SS	1
5	Bolt	A193-B8	4
4	Ball Seat	TFM1600	2
3	Ball	316SS	1
2	Cap	ASTM A351 Gr.CF8M	2
1	Body	ASTM A351 Gr.CF8M	1

■ DIMENSION TABLE

Unit: inch

Pressure	New FNW Code	Size	Ød	L	H1	H	W	A	B	T	M	ØE1	ØE2	P	U1	U2	L2	K
400CWP	FNW330AD	1/2"	0.37	3.54	1.65	2.83	5.71	0.80	1.00	0.15	0.35	1.42	1.65	0.35	0.24	0.24	1.71	7/16-20UNF
	FNW330AF	3/4"	0.62	3.54	1.93	3.15	5.71	0.80	1.00	0.15	0.35	1.42	1.97	0.35	0.24	0.28	1.82	7/16-20UNF
	FNW330AG	1"	0.87	3.94	2.28	3.54	6.30	1.71	1.99	0.11	0.43	1.65	1.97	0.43	0.28	0.28	2.10	9/16-18UNF
	FNW330AJ	1-1/2"	1.37	4.92	2.80	4.17	7.48	1.71	1.99	0.11	0.55	1.97	2.76	0.55	0.28	0.35	3.05	3/4-16UNF
	FNW330AK	2"	1.87	5.91	3.07	4.45	7.48	2.22	2.52	0.11	0.55	1.97	2.76	0.55	0.28	0.35	3.59	3/4-16UNF
	FNW330AL	2-1/2"	2.37	7.48	3.94	5.91	10.24	2.78	3.05	0.11	0.67	2.76	4.02	0.67	0.35	0.43	4.32	7/8-14UNF
	FNW330AM	3"	2.87	8.66	4.29	6.26	10.24	3.29	3.58	0.11	0.67	2.76	4.02	0.67	0.35	0.43	4.91	7/8-14UNF
	FNW330AP	4"	3.84	10.63	5.51	7.80	13.78	4.33	4.69	0.11	0.87	4.02	0.87	0.43	0.43	6.22	1-1/8-12UNF	

Mark	Amount	Subarea	Revision NO.	Signature	Date	Projection	Material	CF8M	Edition	9
Drawing	hm.huang	2011.1.28	Recheck			Proportion	Weight		Page of	
Design										
Check										
Standardization				Approve						

1/2"-4" 400CWP
 3PC
 Ball Valve
 Assembly Drawing
 FNW330A
 Material NO.
 Draw. NO. 330A

