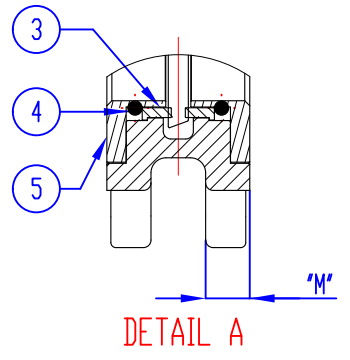
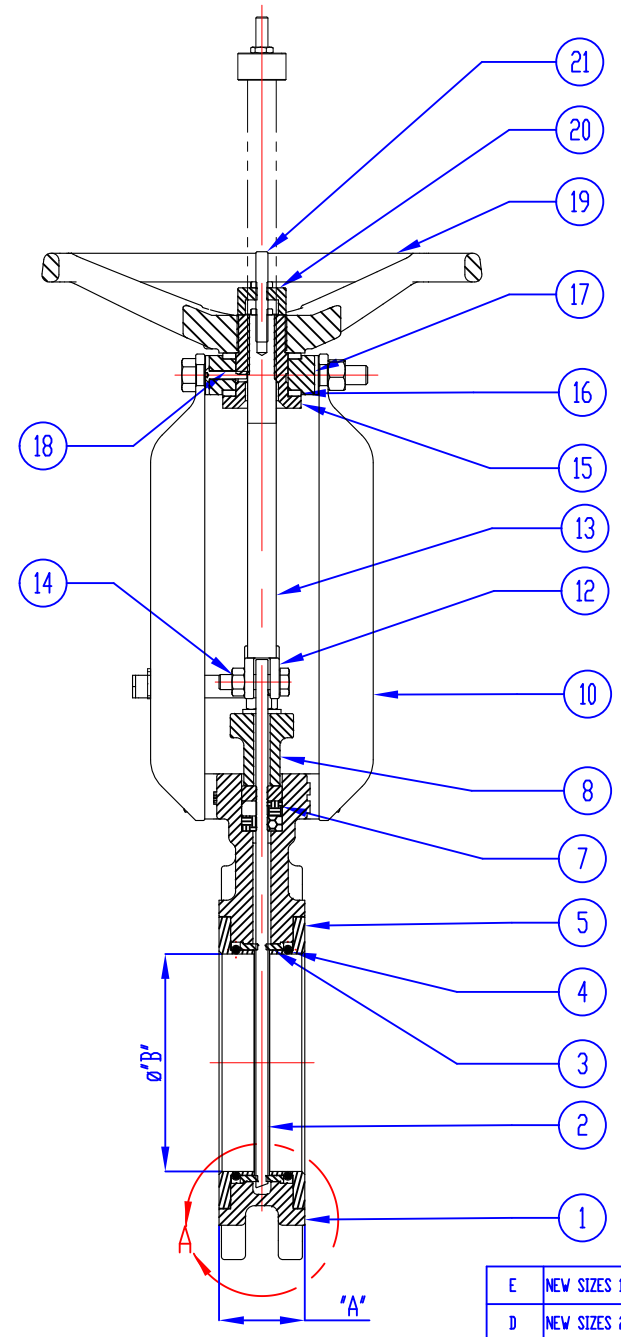
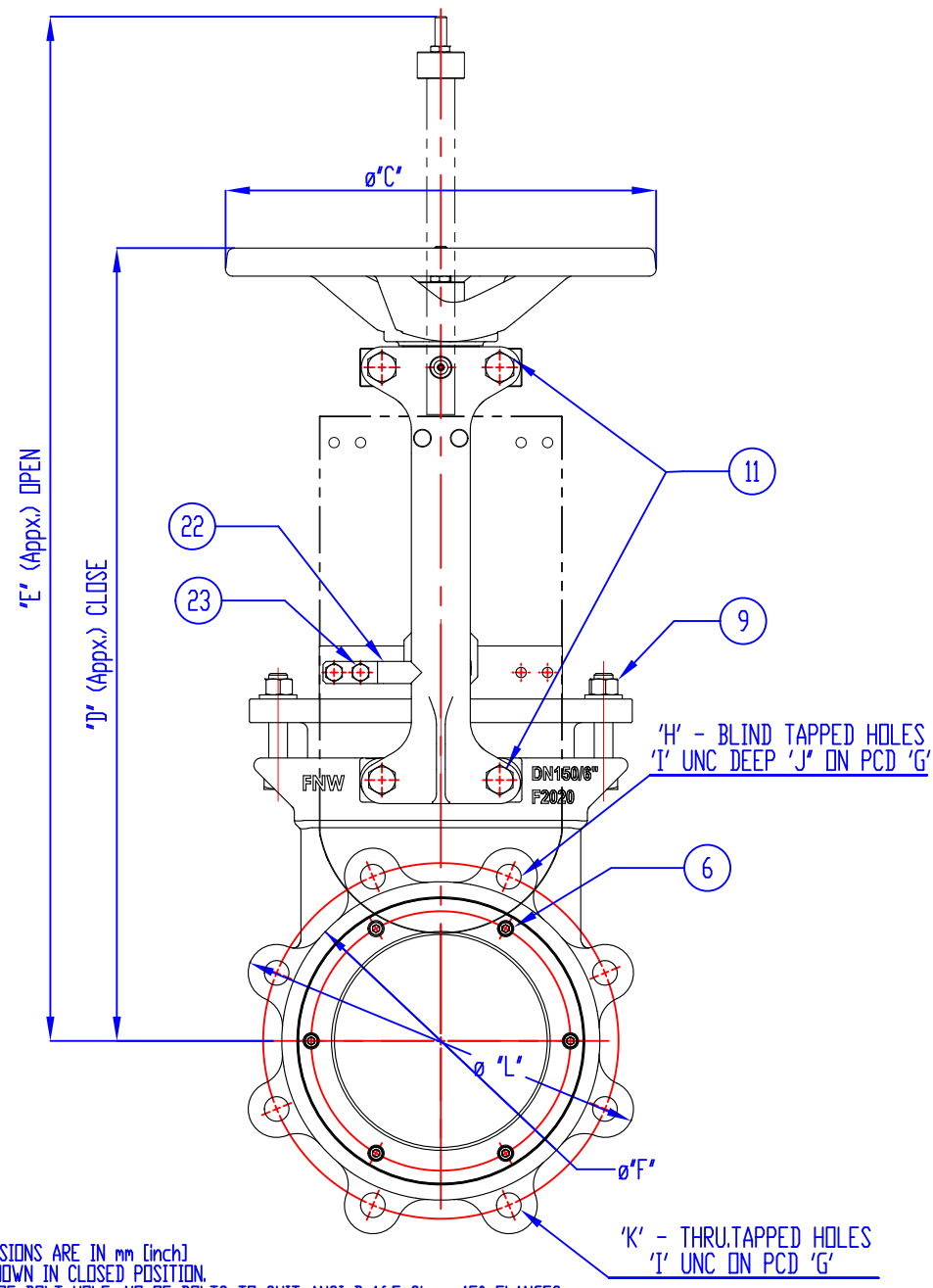


TEST DATA					
TEST	PRESSURE psi(bar)	DURATION (sec)	ACCEPTANCE NORM	TEST FLUID	REMARKS
BODY	218(15)	60	NO LEAK	WATER	BEFORE ASSEMBLY
SEAT	160(11)	60	NO VISIBLE LEAK	WATER	AFTER ASSEMBLY



VALVE SIZE	A	ø B	ø C	D	E	ø F	ø G	H	I	J	K	ø L	M (MINIMUM)
50 [2"]	48.0 [1.88]	46.5 [1.83]	254.0 [10.00]	355.0 [13.98]	413.0 [16.26]	92.0 [3.62]	120.5 [4.75]	2	5/8"-11	9.0 [0.35]	2	150.0 [6.00]	12.7 [0.50]
65 [2-1/2"]	51.0 [2.00]	69.5 [2.74]	254.0 [10.00]	402.0 [15.83]	496.0 [19.53]	127.0 [5.00]	139.7[5.50]	2	5/8"-11	10.0 [0.39]	2	190.0 [7.50]	12.7 [0.50]
80 [3"]	51.0 [2.00]	69.5 [2.74]	254.0 [10.00]	402.0 [15.83]	496.0 [19.53]	127.0 [5.00]	152.5 [6.00]	2	5/8"-11	10.0 [0.39]	2	190.0 [7.50]	12.7 [0.50]
100 [4"]	51.0 [2.00]	94.5 [3.72]	254.0 [10.00]	456.0 [17.95]	568.0 [22.36]	157.5 [6.19]	190.5 [7.50]	2	5/8"-11	10.0 [0.39]	6	230.0 [9.00]	12.7 [0.50]
150 [6"]	57.0 [2.25]	144.5 [5.69]	298.5 [11.75]	554.0 [21.81]	716.0 [28.19]	216.0 [8.50]	241.5 [9.50]	2	3/4"-10	11.0 [0.43]	6	280.0 [11.00]	16.0 [0.63]
200 [8"]	70.0 [2.75]	189.5 [7.46]	406.5 [16.00]	670.0 [26.38]	878.0 [34.57]	270.0 [10.62]	298.5 [11.75]	2	3/4"-10	11.0 [0.43]	6	345.0 [13.50]	16.0 [0.63]
250 [10"]	70.0 [2.75]	239.5 [9.43]	406.5 [16.00]	785.0 [30.91]	1045.0 [41.14]	324.0 [12.75]	362.0 [14.25]	4	7/8"-9	12.5 [0.49]	8	405.0 [16.00]	19.1 [0.75]
300 [12"]	76.0 [3.00]	289.5 [11.40]	508.0 [20.00]	892.0 [35.12]	1198.0 [47.17]	381.0[15.00]	432.0 [17.00]	4	7/8"-9	11.0 [0.43]	8	485.0 [19.00]	19.1 [0.75]
350 [14"]	76.0 [3.00]	329.5 [12.97]	508.0 [20.00]	995.0 [39.17]	1345.0 [52.95]	413.0 [16.25]	476.0 [18.75]	4	1" - 8	13.0 [0.51]	8	535.0 [21.00]	20.6 [0.81]
400 [16"]	89.0 [3.50]	369.5 [14.55]	508.0 [20.00]	1060.0 [41.73]	1480.0 [58.27]	470.0 [18.50]	540.0 [21.25]	6	1" - 8	14.0 [0.55]	10	600.0 [23.50]	22.4 [0.88]
450 [18"]	89.0 [3.50]	419.5 [16.52]	508.0 [20.00]	1200.0 [47.24]	1640.0 [64.57]	533.5 [21.00]	578.0 [22.75]	6	1-1/8"-7	15.0 [0.59]	10	635.0 [25.00]	23.9 [0.94]
500 [20"]	114.0 [4.50]	469.5 [18.48]	508.0 [20.00]	1332.0 [52.44]	1820.0 [71.65]	584.5 [23.00]	635.0 [25.00]	8	1-1/8"-7	19.0 [0.75]	12	700.0 [27.50]	25.4 [1.00]
600 [24"]	114.0 [4.50]	569.5 [22.42]	508.0 [20.00]	1554.0 [61.18]	2140.0 [84.25]	692.5 [27.25]	749.5 [29.50]	8	1-1/4"-7	23.0 [0.91]	12	815.0 [32.00]	25.4 [1.00]



23	FASTENERS (Gate & Arrow indicator)	ASTM A 193 Gr. B8 / ASTM A 194 Gr.8
22	ARROW INDICATOR	ASTM A 240 Gr.304
21	FASTENERS (Stem & Stopper)	ASTM A 193 Gr. B8 / ASTM A 194 Gr.8
20	STOPPER	ASTM A 276 Gr.304
19	HAND WHEEL	ASTM A 126 Gr. Class B
18	GREASE NIPPLE	BRASS
17	COLLAR	ASTM A 351 Gr.CF8
16	THRUST NEEDLE BEARING	STAINLESS STEEL
15	YOKE SLEEVE	ASTM B 148 Gr. C95200
14	FASTENERS (Stem & Gate)	ASTM A 193 Gr. B8 / ASTM A 194 Gr.8
13	STEM	ASTM A 276 Gr.304
12	CLEVIS	ASTM A 351 Gr.CF8
11	FASTENERS (Yoke,Body & Collar)	ASTM A 193 Gr. B8 / ASTM A 194 Gr.8
10	YOKE	ASTM A 351 Gr.CF8
9	FASTENERS (Gland Follower & Body)	ASTM A 193 Gr. B8 / ASTM A 194 Gr.8
8	GLAND FOLLOWER	ASTM A 351 Gr.CF8M
7	PACKING	PTFE WITH 1 LAYER OF EPDM QUAD SEAL
6	FASTENERS (Retainer Ring & Body)	ASTM A 193 Gr. B8M
5	RETAINER RING	ASTM A 351 Gr.CF8M
4	O-RING	EPDM
3	SEAT RING	RTFE
2	GATE	ASTM A 240 Gr.316
1	BODY	ASTM A 351 Gr.CF8M
ITEM No.	DESCRIPTION	MATERIAL

NOTE:  
 1.ALL DIMENSIONS ARE IN mm (inch)  
 2.VALVE SHOWN IN CLOSED POSITION.  
 3.PCD,SIZE OF BOLT HOLE, NO OF BOLTS TO SUIT ANSI B 16.5 Class 150 FLANGES  
 4.VALVE SHALL BE PAINTED WITH TWO PACK BLUE EPOXY PAINT ON ALL NON STAINLESS STEEL PARTS  
 5.VALVE INTERNALS ARE SHOWN FOR REFERENCE ONLY  
 6.FACE TO FACE AS PER MSS-SP-81

E	NEW SIZES 16" ADDED	13.03.2014
D	NEW SIZES 2",2-1/2" 14" & 18" ADDED	24.02.2014
C	"Z" WAS "X" IN ORDER CODE	07.02.2014
B	NEW SIZES 8", 10", 12", 20" & 24" ADDED	28.01.2014
REV.No	DESCRIPTION	DATE

NAME	DATE
DRAWN	16.01.14
CHD	
APPD	

This drawing is the property of FNW and should be used only for the purpose it is supplied for and not be used for any other purpose without expressed written permission.

SCALE	SIZE : 2" TO 24"	MODEL : 2020	DRAWING NUMBER	REV
TITLE:- BI-DIRECTIONAL RESILIENT SEATED KNIFE GATE VALVE WITH HAND WHEEL			2020-2-24	E